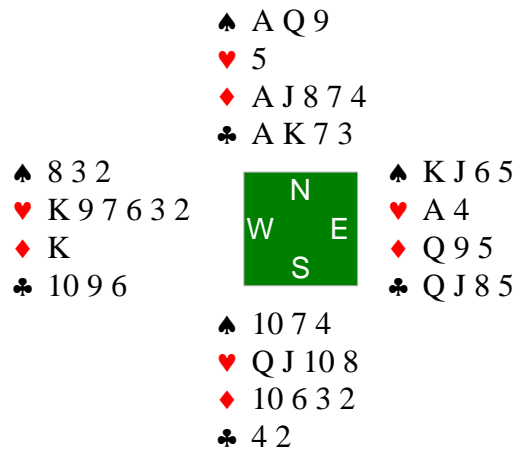


Board 1
North Deals
None Vul

♠ Q 10 4		♠ A J 9 6
♥ A J 3		♥ K Q 4
♦ K 8 2		♦ A J 10 6
♣ K 8 7 5		♣ A 10
	♠ 7 5 2	
	♥ 9 8 6 2	
	♦ 7 5 3	
	♣ Q 6 3	
	♠ K 8 3	
	♥ 10 7 5	
	♦ Q 9 4	
	♣ J 9 4 2	

NS 4♠; NS 3N; NS 3♥; NS 4♦; NS 3♣; Par +420

Board 2
East Deals
N-S Vul



N 4♦; S 3♦; NS 1N; EW 2♣; N 1♠; EW 1♥; Par +130

Board 3
South Deals
E-W Vul

	♠ K 10 8 7 5	
	♥ 7 4 2	
	♦ A 7	
	♣ A 9 4	
♠ Q 6		♠ J 9
♥ K J 5		♥ A Q 9 6
♦ 10 3 2		♦ Q J 9 5 4
♣ J 10 8 3 2		♣ K Q
	♠ A 4 3 2	
	♥ 10 8 3	
	♦ K 8 6	
	♣ 7 6 5	

NS 2N; NS 2♠; EW 2♦; EW 1♥; EW 1♣; Par +120

Board 4

West Deals

Both Vul

♠ 10 9 8
♥ Q J 9 6
♦ Q J 6 5
♣ A Q

♠ K 7
♥ 7 4 2
♦ K 10 4 3
♣ J 8 5 2




♠ J 6 5 3
♥ A 5 3
♦ 9 2
♣ K 10 6 4

♠ A Q 4 2
♥ K 10 8
♦ A 8 7
♣ 9 7 3

NS 1N; EW 1♠; NS 1♦; NS 1♣; Par +90

Board 5
North Deals
N-S Vul

♠ K Q 6 3		♠ 8 5
♥ A 9		♥ K J 10 5 3
♦ A J 10		♦ 8 6 5 3 2
♣ A Q J 10		♣ 6
		
		♠ A J 10 9 2
		♥ 8 6 2
		♦ 9 4
		♣ 7 5 3
		♠ 7 4
		♥ Q 7 4
		♦ K Q 7
		♣ K 9 8 4 2

EW 6♠; EW 5N; EW 3♣; NS 1♥; Par -980

Board 6

East Deals

E-W Vul

	♠ A K 7 6 5	
	♥ 9 6 2	
	♦ 2	
	♣ K 4 3 2	
♠ Q 9 8 2		♠ J 4
♥ A J 7 3		♥ Q 8 5
♦ 9 6		♦ A K J 10
♣ A Q 7		♣ J 10 8 6
	♠ 10 3	
	♥ K 10 4	
	♦ Q 8 7 5 4 3	
	♣ 9 5	

EW 3N; EW 3♥; W 2♠; EW 2♣; E 1♠; EW 1♦; Par -600

Board 7
 South Deals
 Both Vul

♠ A 9 2	♠ 7 6 4	♠ K J 8 5 3						
♥ J 4 3 2	♥ 8 6 5	♥ Q 9						
♦ Q 8	♦ 9 6 5 3 2	♦ A J 4						
♣ J 5 4 2	♣ A 9	♣ K Q 3						
<table style="border: 1px solid black; background-color: #008000; color: white; width: 60px; height: 60px; margin: auto; display: inline-table;"> <tr><td style="padding: 5px;">W</td><td style="padding: 5px;">N</td><td style="padding: 5px;">E</td></tr> <tr><td style="padding: 5px;"></td><td style="padding: 5px;">S</td><td style="padding: 5px;"></td></tr> </table>			W	N	E		S	
W	N	E						
	S							
<table style="margin: auto;"> <tr><td style="padding: 5px;">♠ Q 10</td></tr> <tr><td style="padding: 5px;">♥ A K 10 7</td></tr> <tr><td style="padding: 5px;">♦ K 10 7</td></tr> <tr><td style="padding: 5px;">♣ 10 8 7 6</td></tr> </table>			♠ Q 10	♥ A K 10 7	♦ K 10 7	♣ 10 8 7 6		
♠ Q 10								
♥ A K 10 7								
♦ K 10 7								
♣ 10 8 7 6								

EW 3N; EW 3♠; EW 3♣; EW 1♥; Par -600

Board 8
 West Deals
 None Vul

♠ A 8		♠ Q 6 2
♥ A J 9 7 6 5		♥ 10 4 3
♦ A K Q		♦ J 9 4
♣ Q 5		♣ A 9 8 7
		♥ 2
		♦ 7 3 2
		♣ K J 2
		♠ 7 3
		♥ K Q 8
		♦ 10 8 6 5
		♣ 10 6 4 3

EW 6♠; EW 5N; EW 4♥; EW 4♦; EW 2♣; Par -980

Board 9
 North Deals
 E-W Vul

♠ J	♠ K 9 8 7 6 3 2	
♥ K	♥ 3 2	
♦ A K 10 5 4 2	♦ J 9	
♣ K Q 9 6 5	♣ 10 2	
	<div style="display: inline-block; background-color: #008000; color: white; padding: 5px; border: 1px solid black;"> N W E S </div>	
	♠ A 10	♠ Q 5 4
	♥ A J 9 6 5	♥ Q 10 8 7 4
	♦ 8 7 6	♦ Q 3
	♣ A 8 3	♣ J 7 4

EW 4♦; EW 4♣; EW 2N; NS 2♠; EW 1♥; Par -130

Board 10
East Deals
Both Vul

	♠ K Q 9 6	
	♥ K 3	
	♦ 10 8 7 2	
	♣ 8 7 4	
♠ 8 7 5		♠ A 3
♥ Q J 9 7	W N E	♥ A 10 8 2
♦ 6 5 4	S	♦ Q 9 3
♣ A K Q		♣ 10 9 6 5
	♠ J 10 4 2	
	♥ 6 5 4	
	♦ A K J	
	♣ J 3 2	

E 4♥; EW 3N; W 3♥; EW 3♣; NS 1♠; NS 1♦; Par -620

Board 11
South Deals
None Vul

♠ K 8 4 3 2		♠ A 9 7 5
♥ 10 9 8 4 2		♥ Q 7
♦ 8		♦ Q J 5 3 2
♣ A 4		♣ K 5
	W N E	♠ 10
	S	♥ A J 6 3
		♦ 9 6
		♣ Q J 10 9 7 6
		♠ Q J 6
		♥ K 5
		♦ A K 10 7 4
		♣ 8 3 2

NS 4N; NS 5♦; NS 3♠; W 3♥; E 2♥; W 3♣; E 2♣; Par +300:
W 5♥×-2

Board 12

West Deals

N-S Vul

	♠ 7 6 5										
	♥ J 10 6										
	♦ 8 5										
	♣ 7 6 5 4 3										
♠ 9 8 4	<table border="1"><tbody><tr><td></td><td>N</td><td></td></tr><tr><td>W</td><td></td><td>E</td></tr><tr><td></td><td>S</td><td></td></tr></tbody></table>		N		W		E		S		♠ K J 2
	N										
W		E									
	S										
♥ Q 9 7		♥ A 4									
♦ J 10 9 2		♦ K 7 6									
♣ K 10 2		♣ A Q J 9 8									
	♠ A Q 10 3										
	♥ K 8 5 3 2										
	♦ A Q 4 3										
	♣ —										

E 2N; NS 2♥; W 1N; E 2♦; E 2♣; NS 1♠; W 1♦; W 1♣; Par -120

Board 13
North Deals
Both Vul

♠ 3		♠ K 10 7 6 5
♥ K Q 9 7		♥ 8 4
♦ A 10 2		♦ K 9 8 4
♣ Q 9 6 4 2		♣ J 5
	♠ A Q J 9 8 4 2	
	♥ 10 3 2	
	♦ 7 5	
	♣ A	
	♠ —	
	♥ A J 6 5	
	♦ Q J 6 3	
	♣ K 10 8 7 3	

EW 3♠; EW 1N; NS 2♦; EW 1♥; NS 1♣; Par -140

Board 14
 East Deals
 None Vul

♠ 3 2		♠ 9 7 6
♥ J 10 9		♥ K Q 8 7 2
♦ Q J 10 9 7 6		♦ 4
♣ 10 2		♣ 9 8 4 3
♠ A K Q 10 4	<div style="display: inline-block; background-color: green; color: white; padding: 5px; border: 1px solid black;"> N W E S </div>	
♥ 5 4		
♦ A 5 2		
♣ K 7 5		
♠ J 8 5		
♥ A 6 3		
♦ K 8 3		
♣ A Q J 6		

EW 3♠; EW 2♥; EW 1N; NS 2♦; EW 2♣; Par -140

Board 15
South Deals
N-S Vul

♠ 10	♠ J 9 8 7 4 3	♠ K
♥ K Q 7 5	♥ 3 2	♥ A J 10 6
♦ Q J 8 6 5 4	♦ K 3	♦ A 10 2
♣ A 4	♣ 9 8 5	♣ K Q 10 6 3
	♠ A Q 6 5 2	
	♥ 9 8 4	
	♦ 9 7	
	♣ J 7 2	

W N E
S

EW 6♥; EW 6♦; EW 6♣; EW 1N; EW 1♠; Par -980

Board 16
West Deals
E-W Vul

♠ K 10 2		♠ A 8 6
♥ A 10 6 4		♥ J 9 8 7 2
♦ 9 2		♦ Q 10 6 5 4
♣ A J 4 3		♣ —
	♠ 9 3	
	♥ K 5 3	
	♦ A K 8 7 3	
	♣ Q 7 5	
	♠ Q J 7 5 4	
	♥ Q	
	♦ J	
	♣ K 10 9 8 6 2	

EW 2N; EW 2♥; EW 2♦; NS 1♠; EW 1♣; Par -120

Board 17
North Deals
None Vul

♠ K 7 2		♠ A 10 6 4
♥ A K 10		♥ J 9 8 7 3 2
♦ 8 4		♦ —
♣ 10 9 7 3 2		♣ A K 4
	♠ 8 5 3	
	♥ Q 5 4	
	♦ A K J 5	
	♣ J 8 6	
	♠ Q J 9	
	♥ 6	
	♦ Q 10 9 7 6 3 2	
	♣ Q 5	

NS 4♥; NS 3♠; NS 3♦; NS 1N; Par +420

Board 18
East Deals
N-S Vul

♠ 5		♠ Q J 6 3	
♥ Q 8 5 2		♥ A K 4	
♦ Q 10 8 7 4		♦ J 9 5	
♣ Q 10 2		♣ 9 6 5	
	♠ A 10 9 7 4		
	♥ 7		
	♦ A K		
	♣ A K 7 4 3		
	♠ K 8 2		
	♥ J 10 9 6 3		
	♦ 6 3 2		
	♣ J 8		

W 5N; E 4N; W 5♦; EW 5♣; EW 3♠; E 4♦; W 2♥; E 1♥; Par -460

Board 19
South Deals
E-W Vul

	♠ Q 9 6 5	
	♥ 5 3	
	♦ K 10 9 8	
	♣ 7 6 4	
♠ J 4		♠ A 8 3 2
♥ A J 10 6 4 2	W N E	♥ Q 9 8 7
♦ 6 2	S	♦ Q 5
♣ 9 8 5		♣ K Q 2
	♠ K 10 7	
	♥ K	
	♦ A J 7 4 3	
	♣ A J 10 3	

NS 4♦; NS 2♠; EW 2♥; NS 3♣; EW 1N; Par +130

Board 20
West Deals
Both Vul

	♠ 8 2	
	♥ A J 8 6 5 4	
	♦ A 10 9 2	
	♣ 3	
♠ Q 5 4 3		♠ A 10 7 6
♥ K Q 7 2		♥ 10
♦ K 6		♦ J 8 4 3
♣ J 5 4		♣ K 8 7 6
	♠ K J 9	
	♥ 9 3	
	♦ Q 7 5	
	♣ A Q 10 9 2	

NS 3♥; NS 2N; NS 3♦; NS 2♣; Par +140

Board 21
North Deals
N-S Vul

♠ K Q 6	♠ 4 2	♠ J 10 8 7 5
♥ K Q 3 2	♥ J 9 8 7 4	♥ —
♦ 2	♦ A 8 6 5	♦ K J 10 7 4 3
♣ K Q J 9 3	♣ 7 4	♣ 6 2
	♠ A 9 3	
	♥ A 10 6 5	
	♦ Q 9	
	♣ A 10 8 5	

E 4♠; W 3♠; NS 2♥; EW 1N; EW 2♦; EW 1♣; Par -420

Board 22
East Deals
E-W Vul

♠ 10 8 5 4		♠ A J 9 2
♥ A 9 8 2		♥ —
♦ 8 7 3		♦ A J 10 5 4
♣ 10 5		♣ 9 8 6 3
	♠ N	♠ Q 7 6 3
	W E	♥ 10 7 5
	S	♦ 9 6 2
		♣ K 4 2
		♠ K
		♥ K Q J 6 4 3
		♦ K Q
		♣ A Q J 7


NS 7♦; NS 7♣; NS 6N; NS 5♠; NS 5♥; Par +1440

Board 23
South Deals
Both Vul

♠ QJ7		♠ 1032
♥ 1072		♥ QJ654
♦ K6		♦ A873
♣ AKQ98		♣ 6
	W	
	N	
	E	
	S	
		♠ K84
		♥ K98
		♦ 109
		♣ J10543
		♠ A965
		♥ A3
		♦ QJ542
		♣ 72

NS 4♠; NS 3♥; NS 4♦; NS 2N; E 2♣; W 1♣; Par +620

Board 24
 West Deals
 None Vul

♠ K 4			
♥ 9 7 5 4			
♦ K 6 4 2			
♣ K 9 8			
♠ Q J 10 5 3	♠ A 9 8 6		
♥ A J 6	♥ Q 8		
♦ J 8 5	♦ Q 9		
♣ A 3	♣ 10 7 6 5 4		
			
♠ 7 2			
♥ K 10 3 2			
♦ A 10 7 3			
♣ Q J 2			

EW 4♠; EW 3N; EW 3♣; EW 1♥; Par -420

Board 25
North Deals
E-W Vul

	♠ 9 3 2	
	♥ A 8 5	
	♦ Q 10 8 6 5 4 2	
	♣ —	
♠ A 5		♠ K J 8 7
♥ K Q 10 9 7 4 3	W N E	♥ J 6 2
♦ A 9	S	♦ 3
♣ 5 4		♣ J 10 9 7 3
	♠ Q 10 6 4	
	♥ —	
	♦ K J 7	
	♣ A K Q 8 6 2	


EW 4♥; NS 3♦; NS 1♠; Par -300: NS 5♦×-2

Board 26
East Deals
Both Vul

	♠ A Q J 5 2		
	♥ A 6		
	♦ 10		
	♣ A Q 9 4 2		
♠ 6		♠ K 10 9 7 4 3	
♥ J 10 8 5 4	W N E	♥ Q 9	
♦ A K J 4 3	S	♦ Q 6	
♣ J 8		♣ K 7 5	
	♠ 8		
	♥ K 7 3 2		
	♦ 9 8 7 5 2		
	♣ 10 6 3		

NS 2♠; EW 2♥; NS 3♣; NS 1N; EW 1♦; Par +110

Board 27
South Deals
None Vul

♠ Q 10 9 5 3		♠ 8 4
♥ 9 8 6 4 2		♥ A K 5 3
♦ 3		♦ 8
♣ A 3		♣ Q J 9 7 5 2
		
		♠ A K 7 6
		♥ J 10
		♦ A K J 10 9
		♣ 10 6
		♠ J 2
		♥ Q 7
		♦ Q 7 6 5 4 2
		♣ K 8 4

EW 5♠; EW 2N; EW 2♥; NS 3♣; EW 1♦; Par -450

Board 28
West Deals
N-S Vul

♠ 10 7 3
♥ K J 9 6
♦ J 8 7 4 3
♣ A

♠ J 9 8 4
♥ 4 3 2
♦ K 10 6 5
♣ 8 4



♠ A K 6 5 2
♥ 10
♦ A 2
♣ K 10 9 6 5

♠ Q
♥ A Q 8 7 5
♦ Q 9
♣ Q J 7 3 2

EW 3♠; EW 1N; EW 2♦; EW 1♥; EW 1♣; Par -140

Board 29
North Deals
Both Vul

♠ A J 9 4 2		♠ K 10 6 3
♥ 6 5		♥ K
♦ —		♦ Q 9 4 3
♣ A K 8 7 5 2		♣ Q 10 6 4
	♠ N	♠ 8
	W E	♥ A Q 10 9 8 7 4 3
	S	♦ A 8 7 2
		♣ —
		♠ Q 7 5
		♥ J 2
		♦ K J 10 6 5
		♣ J 9 3

EW 7♥; EW 6N; EW 2♠; EW 3♣; N 1♦; Par -2210

Board 30
East Deals
None Vul

♠ 6		♠ J 10 5 4 2
♥ A Q 10 8		♥ 9 6 2
♦ A 10 7		♦ 9 8 5
♣ A J 9 4 2		♣ 8 3
	♠ A K Q 9 7	
	♥ J 5 4	
	♦ K 6 4 2	
	♣ K	
		♠ 8 3
		♥ K 7 3
		♦ Q J 3
		♣ Q 10 7 6 5

EW 7♥; EW 6N; EW 6♠; EW 6♦; EW 6♣; Par -1510

Board 31
South Deals
N-S Vul

♠ 5 4 3
♥ K 8 7
♦ J 7 5 2
♣ 7 3 2

♠ K Q J 10 9 8 6
♥ 6 5
♦ Q 10
♣ A 5



♠ A 7
♥ Q 10 9 4 3 2
♦ 6
♣ Q J 9 8

♠ 2
♥ A J
♦ A K 9 8 4 3
♣ K 10 6 4

NS 5♠; NS 3N; NS 5♦; NS 2♣; EW 1♥; Par +650

Board 32
West Deals
E-W Vul

♠ K 6 5 4	♠ Q J 10 3	♠ A 8 7
♥ J	♥ 9 8 6 5	♥ Q 4
♦ K 10 8 7	♦ J 6 3 2	♦ Q 9
♣ J 8 5 3	♣ Q	♣ A K 7 6 4 2
	♠ 9 2	
	♥ A K 10 7 3 2	
	♦ A 5 4	
	♣ 10 9	

EW 5♣; N 3♥; EW 2♠; S 2♥; EW 1♦; Par -300; N 5♥×-2

Board 33
North Deals
None Vul

♠ K Q 6 2		♠ 4 3
♥ K Q 3 2		♥ 10 7 5
♦ 6 5		♦ A Q J 10 7 4
♣ K 9 7		♣ J 10
	♠ 8 7 5	
	♥ A 9 8	
	♦ K 2	
	♣ Q 8 5 3 2	
	♠ A J 10 9	
	♥ J 6 4	
	♦ 9 8 3	
	♣ A 6 4	

EW 3♥; EW 2♠; EW 3♣; NS 1♦; Par -140

Board 34
East Deals
N-S Vul

	♠ J 9	
	♥ Q 6	
	♦ Q 10 8 7 6	
	♣ K 6 3 2	
♠ A 6 3 2		♠ K 10 8 7
♥ 7		♥ J 9 8 5 3
♦ A K 5 4 3 2	W N E	♦ —
♣ 9 8	S	♣ Q J 10 7
	♠ Q 5 4	
	♥ A K 10 4 2	
	♦ J 9	
	♣ A 5 4	

EW 2♠; NS 1N; NS 1♥; EW 1♦; NS 1♣; Par -110