

Board 1
North Deals
None Vul

♠ J 8 7 5 3		♠ 9 6 4
♥ Q J 5		♥ 10 4
♦ A K		♦ Q 10 9 7 3
♣ 5 4 2		♣ A J 6
	♠ A K	
	♥ A 9 8 7 2	
	♦ J 4 2	
	♣ 9 8 7	
	♠ Q 10 2	
	♥ K 6 3	
	♦ 8 6 5	
	♣ K Q 10 3	

EW 3♥; EW 2N; EW 2♠; NS 1♦; Par -140: EW 2♥+1

Board 2
East Deals
N-S Vul

	♠ 9 8 7 6 3	
	♥ 9 3	
	♦ Q 7	
	♣ 10 8 7 6	
♠ A K 5		♠ Q J 4 2
♥ K J 5		♥ Q 4
♦ A 10 5 2		♦ K 9 8 6
♣ A K Q		♣ J 4 3
	♠ 10	
	♥ A 10 8 7 6 2	
	♦ J 4 3	
	♣ 9 5 2	

EW 5N; EW 4♠; EW 5♦; EW 5♣; EW 3♥; Par -460; EW 3N+2

Board 3
South Deals
E-W Vul

	♠ 4 3		
	♥ 10 8 4		
	♦ K J 8 7 6 5 4		
	♣ 10		
♠ K J 9 8 7 5		♠ 6 2	
♥ 9 6		♥ K Q J 3 2	
♦ A 9 2		♦ Q 3	
♣ A K		♣ Q 9 8 2	
	♠ A Q 10		
	♥ A 7 5		
	♦ 10		
	♣ J 7 6 5 4 3		

EW 4N; W 3♠; E 2♠; EW 2♥; EW 2♣; NS 1♦; Par -630: EW 4N=

Board 4

West Deals

Both Vul

	♠ A 2		
	♥ A 9 7 4 2		
	♦ J 6 4 3		
	♣ 7 5		
♠ K 10 5		♠ J 8 4	
♥ 6		♥ K J 10 8 3	
♦ A Q 8 2		♦ K 10 9 7	
♣ K 10 9 6 2		♣ J	
	♠ Q 9 7 6 3		
	♥ Q 5		
	♦ 5		
	♣ A Q 8 4 3		

EW 3N; EW 2♥; EW 3♦; EW 1♠; Par -600: EW 3N=

Board 5
North Deals
N-S Vul

♠ 9 7 2	♠ 10 3	♠ Q 8 6 5
♥ 6 5	♥ A Q J 9	♥ K 4 3
♦ J 7 4	♦ 10 9 8	♦ A K Q 3 2
♣ K J 10 4 3	♣ Q 7 6 2	♣ 8

W N E
S

♠ A K J 4
♥ 10 8 7 2
♦ 6 5
♣ A 9 5

NS 2♥; S 1N; NS 1♠; EW 1♦; NS 1♣; Par +110; NS 2♥=

Board 6
East Deals
E-W Vul

♠ A Q 9 6 3		♠ 10 5 2	
♥ J 4		♥ 5 2	
♦ A 7		♦ K 4 2	
♣ A Q 10 3		♣ J 7 6 5 4	
	W		E
	S		
		♠ K J 8	♠ 7 4
		♥ A 10 7	♥ K Q 9 8 6 3
		♦ J 10 9 6 3	♦ Q 8 5
		♣ K 2	♣ 9 8

EW 5♥; EW 3♠; EW 2N; W 2♦; EW 2♣; E 1♦; Par -650; EW 4♥+1

Board 7
South Deals
Both Vul

	♠ —	
	♥ A Q 10 7 6	
	♦ 10 9 8 2	
	♣ Q 10 8 6	
♠ A K J 10 9 3		♠ Q 8 7 5
♥ K 4		♥ J 2
♦ 7 5		♦ A 6
♣ A 9 3		♣ J 7 5 4 2
	♠ 6 4 2	
	♥ 9 8 5 3	
	♦ K Q J 4 3	
	♣ K	

NS 5♥; NS 5♦; EW 3♠; EW 2N; EW 2♣; Par +500: EW 5♠×-2

Board 8

West Deals

None Vul

	♠ 7		
	♥ 10 7 3		
	♦ K 10 8 6		
	♣ Q 8 6 5 3		
♠ A 8 6 5		♠ 4 3	
♥ Q 5 4		♥ A K J 9 8 2	
♦ Q 7 5 4 3		♦ 2	
♣ A		♣ K J 10 9	
	♠ K Q J 10 9 2		
	♥ 6		
	♦ A J 9		
	♣ 7 4 2		

EW 5♥; EW 3N; NS 1♠; NS 1♦; Par -450: EW 4♥+1

Board 9
North Deals
E-W Vul

	♠ 9 5 3	
	♥ A 5 4 3	
	♦ 5 4	
	♣ K 10 5 3	
♠ Q J 4 2		♠ A
♥ J 7		♥ K 10 9 8 2
♦ A K 8 6		♦ Q J 10 7
♣ Q 8 7		♣ A 4 2
	♠ K 10 8 7 6	
	♥ Q 6	
	♦ 9 3 2	
	♣ J 9 6	

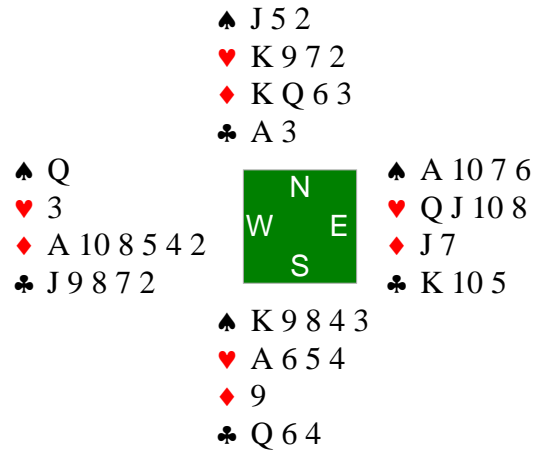
EW 3♥; EW 4♦; EW 2N; W 2♣; EW 1♠; E 1♣; Par -140; EW 2♥+1

Board 10
East Deals
Both Vul

♠ J 5 3		♠ 9 7
♥ 7 6 5		♥ 10 9 2
♦ A 9 8 6		♦ K 4
♣ 10 6 5		♣ A Q J 9 8 2
	W	
	N	
	E	
	S	
		♠ A K 10 8 4
		♥ Q J 3
		♦ J 5 3
		♣ 7 4
		♠ Q 6 2
		♥ A K 8 4
		♦ Q 10 7 2
		♣ K 3

NS 4N; NS 4♥; NS 4♣; NS 2♠; NS 3♦; Par +630: NS 3N+1

Board 11
South Deals
None Vul



NS 2♠; NS 2♥; NS 1N; EW 2♦; EW 2♣;
Par +100: EW 3♣×-1; EW 3♦×-1

Board 12
West Deals
N-S Vul

♠ 9 6		♠ A J 8 3
♥ Q J 6 2		♥ 10
♦ Q 7 5 3		♦ J 9
♣ 9 3 2		♣ K J 8 7 6 4
	♠ N	♠ 10 5 4 2
	W E	♥ A 9 4 3
	S	♦ A K 10 2
		♣ 10
		♠ K Q 7
		♥ K 8 7 5
		♦ 8 6 4
		♣ A Q 5

NS 3♠; NS 4♣; NS 2N; EW 2♥; EW 2♦; Par +140: NS 3♠=

Board 13
North Deals
Both Vul

♠ 9 8 7 3		♠ K
♥ K 8 7		♥ Q 9 3
♦ Q 7		♦ A K 9 8 5 2
♣ K 7 4 3		♣ 9 5 2
	♠ N	♠ 10
	W E	♥ 10 6 5 4
	S	♦ J 10 6 4 3
		♣ Q J 8
		♠ A Q J 6 5 4 2
		♥ A J 2
		♦ —
		♣ A 10 6

NS 6♠; NS 5N; NS 2♥; NS 3♣; NS 2♦; Par +1430: NS 6♠=

Board 14
East Deals
None Vul

♠ A K 7 6 4		♠ Q J 9 8 2
♥ 8		♥ K 6 5 2
♦ Q J 9 5		♦ A 8
♣ Q 6 3		♣ 10 7
	♠ 10	
	♥ A J 9 3	
	♦ K 10 7 3 2	
	♣ K 8 2	
	♠ 5 3	
	♥ Q 10 7 4	
	♦ 6 4	
	♣ A J 9 5 4	

EW 4♦; EW 2N; EW 1♠; NS 1♥; EW 1♣; Par -130: EW 3♦+1

Board 15
South Deals
N-S Vul

♠ J 10 5 3 2		♠ A 8
♥ J 7 6		♥ K Q 9 8
♦ J 4		♦ Q 10 6
♣ Q 7 2		♣ K 9 8 3
	W	
	N	
	E	
	S	
		♠ K 9 6 4
		♥ A 3 2
		♦ A 7 5 2
		♣ 5 4
		♠ Q 7
		♥ 10 5 4
		♦ K 9 8 3
		♣ A J 10 6


N 4♥; N 3N; N 5♣; S 3♥; N 4♦; S 4♣; S 3♦; S 1N; N 1♠;
Par +620: N 4♥=

Board 16
West Deals
E-W Vul

	♠ J 9 4 3	
	♥ J 10 3	
	♦ 7 6 5 2	
	♣ 7 2	
♠ 7 6 5 2		♠ A 10 8
♥ Q 5		♥ K 8 6 2
♦ A 10 9		♦ K J 8
♣ 10 6 4 3		♣ A K 9
	♠ K Q	
	♥ A 9 7 4	
	♦ Q 4 3	
	♣ Q J 8 5	

EW 2N; EW 2♠; EW 2♥; EW 3♣; EW 2♦; Par -120; EW 1N+1

Board 17
North Deals
None Vul

♠ 8 2		♠ K J 9 5 4 3	
♥ J 8		♥ 3 2	
♦ Q J 10 3		♦ 7 2	
♣ J 9 8 4 2		♣ K 6 3	
			
		♠ 10 7	
		♥ A K 9 7 6 5 4	
		♦ A K 4	
		♣ Q	
		♠ A Q 6	
		♥ Q 10	
		♦ 9 8 6 5	
		♣ A 10 7 5	

EW 4♥; EW 4♦; NS 2♠; EW 1♣; Par -300; NS 4♠×-2

Board 18
East Deals
N-S Vul

	♠ A K J 9 8 7	
	♥ A 4 3	
	♦ 7 6	
	♣ 10 2	
♠ 10 4		♠ Q 6 3 2
♥ K J 7 2		♥ 10 8
♦ A 8 5 4	W N E	♦ K 10 9 2
♣ 9 8 7	S	♣ K Q 6
	♠ 5	
	♥ Q 9 6 5	
	♦ Q J 3	
	♣ A J 5 4 3	

S 2N; S 2♠; N 2♥; N 1N; S 2♣; N 1♠; S 1♥; EW 1♦; N 1♣;
Par +120: S 2N=


Board 19
South Deals
E-W Vul

	♠ K 3		
	♥ 8 7 5		
	♦ J 9 7 6 4 3		
	♣ 9 2		
♠ 9 7 5		♠ Q J 8 6 2	
♥ A Q J 2		♥ K 9 4	
♦ 2		♦ Q 5	
♣ 10 7 6 5 4		♣ Q J 8	
	♠ A 10 4		
	♥ 10 6 3		
	♦ A K 10 8		
	♣ A K 3		

NS 3N; NS 4♦; EW 1♠; NS 1♥; EW 1♣; Par +400: NS 3N=

Board 20
West Deals
Both Vul

♠ K 4		♠ A Q 5 2	
♥ K J 10 3 2		♥ Q 9	
♦ Q 10 3		♦ 9 8 2	
♣ 8 6 3		♣ Q J 7 4	
			♠ J 10 9 8 6
			♥ 5 4
			♦ A J 7
			♣ A 10 9
			♠ 7 3
			♥ A 8 7 6
			♦ K 6 5 4
			♣ K 5 2



NS 1N; NS 2♦; EW 1♠; NS 1♥; NS 1♣; Par +90: NS 1N=; NS 2♦=

Board 21
North Deals
N-S Vul

♠ 7 5 4 2		♠ A K 10 9 6
♥ K J 5 2		♥ 8 4 3
♦ 7 2		♦ A 10 9 4
♣ A J 2		♣ 9
	♠ Q	
	♥ A Q 7	
	♦ K J	
	♣ K 10 8 7 6 5 4	
	♠ J 8 3	
	♥ 10 9 6	
	♦ Q 8 6 5 3	
	♣ Q 3	

EW 5♥; EW 5♣; NS 2♠; EW 1N; NS 2♦; Par -450: EW 4♥+1

Board 22
East Deals
E-W Vul

	♠ J 9 6	
	♥ K	
	♦ A K J	
	♣ A K Q 9 8 6	
♠ A 8 4 2		♠ 10 7
♥ Q J 7 6 2		♥ A 8 5 4
♦ 9 6		♦ 5 3 2
♣ 5 4		♣ J 7 3 2
	♠ K Q 5 3	
	♥ 10 9 3	
	♦ Q 10 8 7 4	
	♣ 10	

NS 5♦; NS 3♠; NS 4♣; EW 2♥; NS 1N; Par +400: NS 5♦ =

Board 23
South Deals
Both Vul

♠ QJ97		♠ 542	
♥ AQ62		♥ 75	
♦ K7		♦ QJ65	
♣ AKJ		♣ 10985	
	♠ N		♠ K6
	W E		♥ K108
	S		♦ A4
			♣ Q76432
		♠ A1083	
		♥ J943	
		♦ 109832	
		♣ —	


EW 6N; E 6♠; E 6♥; EW 6♣; W 5♠; W 5♥; EW 1♦;
Par -1440: EW 6N=

Board 24
West Deals
None Vul

♠ A K 6	♠ J 10 9 8 7 5	♠ —
♥ 6 3	♥ Q 10	♥ K J 7 2
♦ Q 9 6	♦ 8 7	♦ A K J 4 2
♣ A K Q 5 2	♣ 6 4 3	♣ J 10 9 8
	♠ Q 4 3 2	
	♥ A 9 8 5 4	
	♦ 10 5 3	
	♣ 7	

EW 6N; EW 6♦; EW 6♣; EW 3♥; Par -990: EW 6N=

Board 25
North Deals
E-W Vul

♠ Q		♠ A 9 7 6 5	
♥ Q J 10 6 3		♥ A 5	
♦ K Q 10		♦ J 6	
♣ J 8 7 4		♣ A K Q 6	
			
		♠ J 10 4	
		♥ K 8 7 4	
		♦ A 9 7 5	
		♣ 10 5	
		♠ K 8 3 2	
		♥ 9 2	
		♦ 8 4 3 2	
		♣ 9 3 2	

NS 3♠; EW 3♥; NS 2♣; EW 1♦; Par +140: NS 3♠=

Board 26
East Deals
Both Vul

♠ QJ432		♠ 10
♥ A73		♥ K852
♦ J8		♦ A73
♣ AKQ		♣ J10985
	W	
	N	
	E	
	S	
		♠ AK865
		♥ Q6
		♦ 1096
		♣ 643
		♠ 97
		♥ J1094
		♦ KQ542
		♣ 72

EW 4♠; EW 2N; NS 2♥; NS 1♦; EW 1♣; Par -620: EW 4♠=

Board 27
South Deals
None Vul

♠ A J		♠ K 9 6
♥ K J 6 2		♥ A 9
♦ Q J 8		♦ A 9 6 5 4 3
♣ K Q 9 6		♣ J 4
	♠ 8 4	
	♥ Q 8 7 4	
	♦ 10 2	
	♣ A 10 5 3 2	
	♠ Q 10 7 5 3 2	
	♥ 10 5 3	
	♦ K 7	
	♣ 8 7	

NS 3♠; EW 2♥; EW 3♣; NS 2♦; Par +100; EW 4♣×-1

Board 28
West Deals
N-S Vul

♠ 9 5 4		♠ K 8
♥ A K J 6 3		♥ Q 10 4 2
♦ K		♦ A 9 7 5 3
♣ K 6 4 3		♣ 8 2
	♠ A Q J 10 6 2	
	♥ 7	
	♦ 10 8 6	
	♣ J 10 7	
	♠ 7 3	
	♥ 9 8 5	
	♦ Q J 4 2	
	♣ A Q 9 5	

EW 5♠; EW 1N; E 2♣; EW 1♥; NS 1♦; W 1♣; Par -450: EW 4♠+1

Board 29
North Deals
Both Vul

♠ Q 7 2	♠ A 10 9 8	♠ K J 6
♥ K 7 6 2	♥ Q 3	♥ 9 4
♦ K 4 3 2	♦ Q 8 7	♦ J 6
♣ A 7	♣ Q 9 8 4	♣ K J 6 5 3 2

♠ 5 4 3
♥ A J 10 8 5
♦ A 10 9 5
♣ 10

EW 3♣; NS 1♠; NS 1♥; NS 1♦; Par -110; EW 2♣+1

Board 30
East Deals
None Vul

	♠ Q 9 8 4 2	
	♥ K 7	
	♦ K Q 10	
	♣ A Q 5	
♠ A		♠ J 10 5
♥ A 10 4 3 2		♥ J 5
♦ 9 3 2		♦ J 8 7 6 5 4
♣ J 9 7 2		♣ 10 8
	♠ K 7 6 3	
	♥ Q 9 8 6	
	♦ A	
	♣ K 6 4 3	

NS 5N; NS 5♠; NS 4♣; NS 2♥; NS 2♦; Par +460: NS 3N+2

Board 31
South Deals
N-S Vul

♠ 6 5 4 2		♠ Q 10 9
♥ A J 10 6		♥ Q 5 3
♦ A K 10		♦ 9 5 2
♣ K 2		♣ J 9 7 4
	♠ A 8 7	
	♥ 8 7 4 2	
	♦ Q 8 6	
	♣ 10 6 5	
	♠ K J 3	
	♥ K 9	
	♦ J 7 4 3	
	♣ A Q 8 3	

EW 3♥; EW 2N; EW 2♠; EW 1♦; NS 1♣; Par -140: EW 1♥+2

Board 32
West Deals
E-W Vul

♠ A K Q 2		♠ 8 7
♥ 10 9 3		♥ K Q 8 4
♦ 6 4 3		♦ J 9 8
♣ J 8 7		♣ Q 9 6 5
	W N E	♠ J 10 5 4 3
	S	♥ A J 7 2
		♦ A 7
		♣ A 10
		♠ 9 6
		♥ 6 5
		♦ K Q 10 5 2
		♣ K 4 3 2

EW 4♠; EW 3♥; EW 2N; NS 1♦; NS 1♣; Par -620: EW 4♠=

Board 33
North Deals
None Vul

♠ J 5		♠ A K 9 3 2
♥ 7 6 4 2		♥ K 8 3
♦ A 6 5 3		♦ J 10 9 8
♣ 8 3 2		♣ 9
	♠ 10 8 4	
	♥ Q J 9 5	
	♦ K Q	
	♣ K Q J 5	
	♠ Q 7 6	
	♥ A 10	
	♦ 7 4 2	
	♣ A 10 7 6 4	

NS 4♠; NS 2N; NS 3♦; NS 2♣; NS 1♥; Par +420: NS 4♠=

Board 34
East Deals
N-S Vul

♠ J 9 4	♠ A K 10 7 3	♠ 8 6 5
♥ A K 7 3	♥ 10 4	♥ Q 9 2
♦ K 10 6	♦ Q 9 7 4	♦ A 8 3 2
♣ K J 5	♣ 7 2	♣ A 6 4
	♠ Q 2	
	♥ J 8 6 5	
	♦ J 5	
	♣ Q 10 9 8 3	

EW 2N; EW 2♥; EW 2♦; EW 2♣; EW 1♠; Par -120; EW 1N+1

Board 35
South Deals
E-W Vul

♠ A Q J 8 2		♠ 9 5
♥ 10 7 4		♥ A J 8 5
♦ 9 6 3		♦ K 7 4
♣ 8 7		♣ A Q 10 4
	W N E	♠ 10 7 4 3
	S	♥ Q 6 3
		♦ A Q 8 5
		♣ K 9
		♠ K 6
		♥ K 9 2
		♦ J 10 2
		♣ J 6 5 3 2

EW 2N; EW 2♠; NS 2♥; NS 2♣; EW 1♦;
Par -100: NS 3♣×-1; NS 3♥×-1

Board 36

West Deals

Both Vul

	♠ K		
	♥ A 10 5 4		
	♦ A 10 9 6 5 3		
	♣ K 6		
♠ J 10 9 8 2		♠ 4 3	
♥ 9 8 7		♥ K Q 6 3 2	
♦ 8		♦ J 4	
♣ J 8 3 2		♣ Q 9 5 4	
	♠ A Q 7 6 5		
	♥ J		
	♦ K Q 7 2		
	♣ A 10 7		

NS 7♦; NS 6N; NS 4♠; NS 2♥; NS 2♣; Par +2140: NS 7♦=